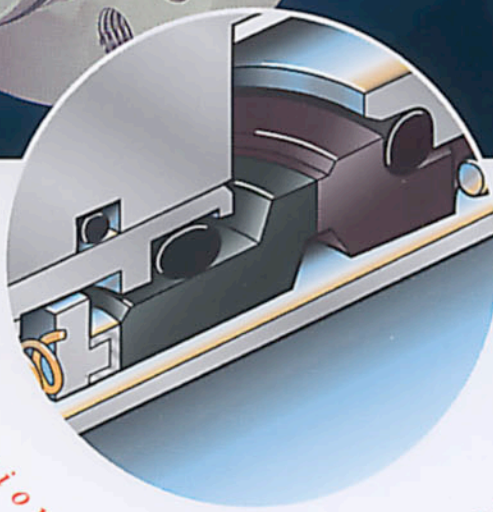




Flow Solutions Division

Allpac

The traditional slurry seal



• Robust design

• Simple construction

• Proven technology

Allpac - the traditional slurry seal for over 40 years: copied by many - without success!

System Allpac for slurry and corrosive duties.
Provides economic seal life - low operating and
maintenance costs.

Internally mounted, double balanced, single
mechanical seal, available in two versions:

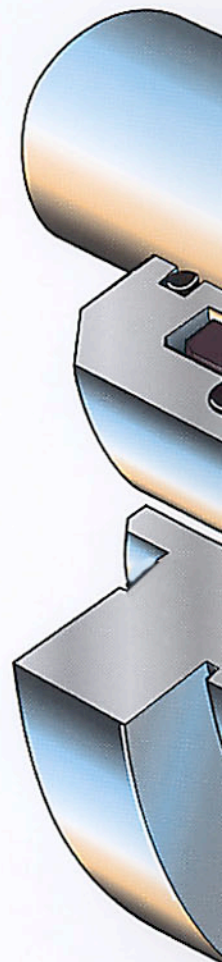
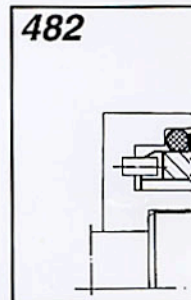
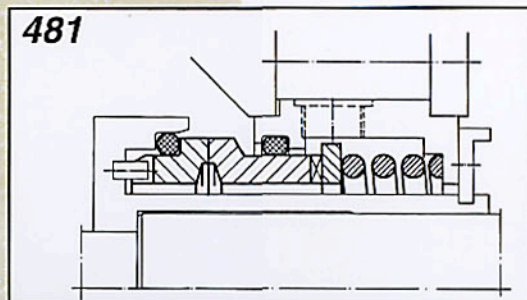
- balanced, closing from the product side
(Allpac 480)
- unbalanced, closing from the atmospheric side
(Allpac 487).

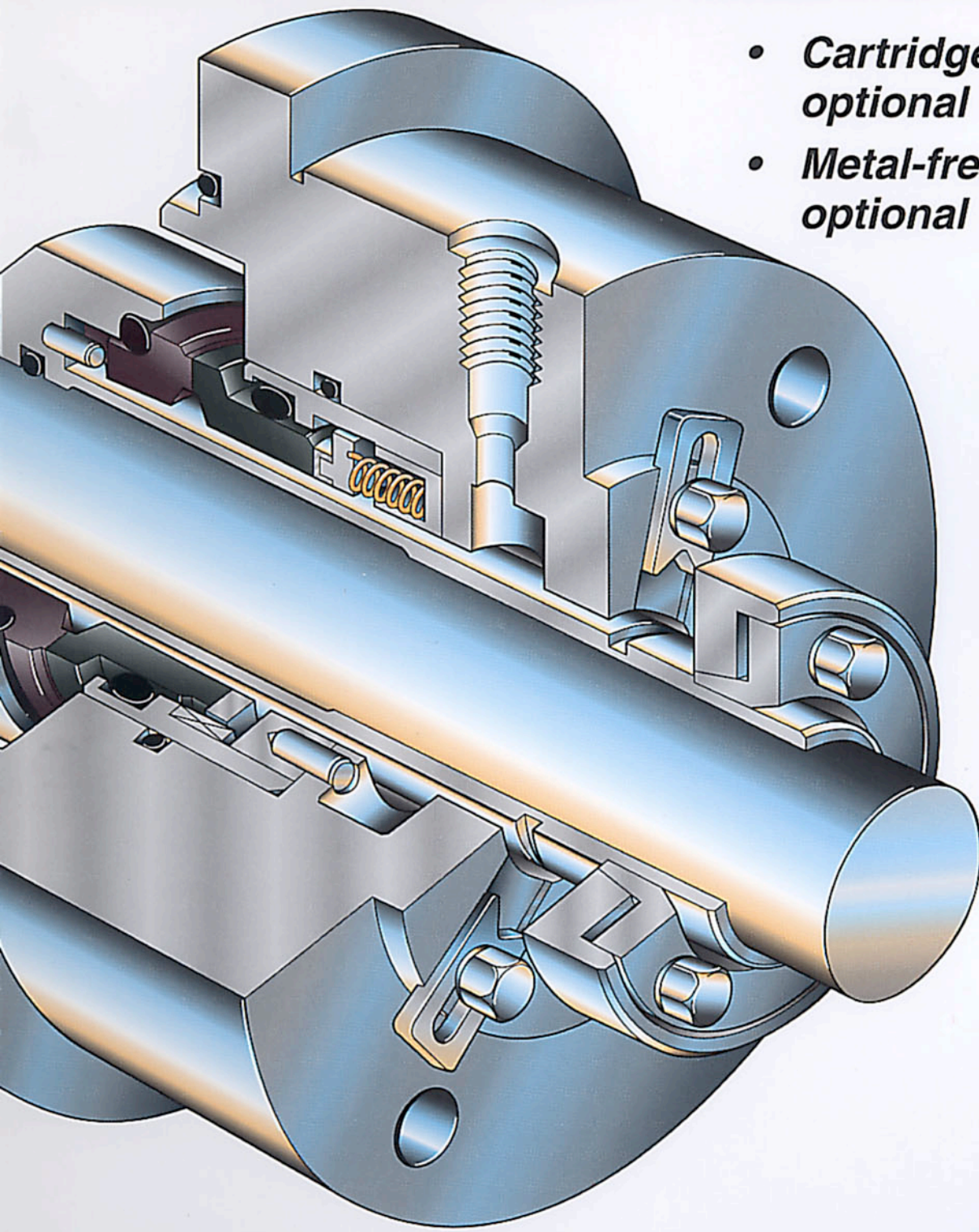
The springs are stationary and outside the pumped
medium, which makes the Allpac very suitable for
slurry applications.

- ▶ *Clean component design -
no clogging within the seal chamber*
- ▶ *Enclosed surfaces of the rotating and
stationary components that face the
medium - no clogging of springs and
other components*
- ▶ *Large clearance between the mechanical
seal and the shaft sleeve -
no clogging within the seal chamber*
- ▶ *Robust, simple construction*

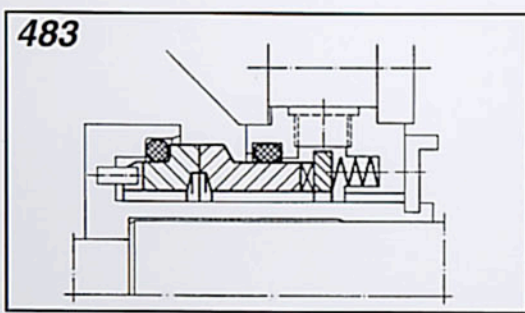
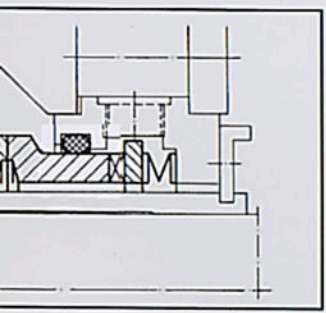
Special design options with the Allpac 480

*Available with connecting parts, adapted to
the machine, e.g. as cartridge unit:*

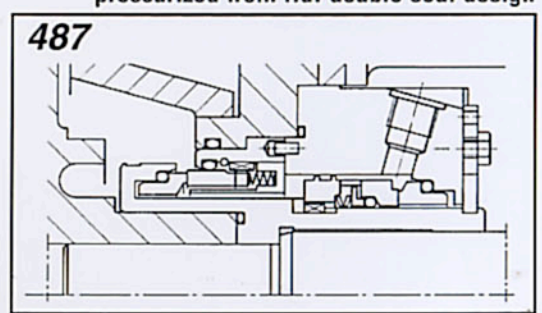




- *Cartridge design optional*
- *Metal-free design optional*



pressurized from i.d. double seal design



BW Seals
 Durametallic Seals
 Pacific Wietz Seals
 Pac-Seal

Operating Parameters

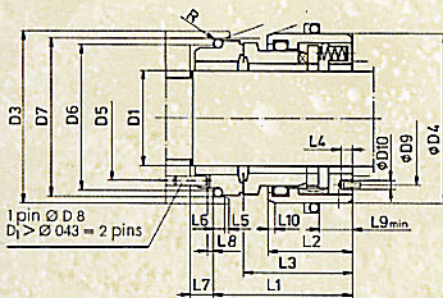
	Allpac 480	Allpac 487
Shaft sizes:	20 - 300 mm	14 - 292 mm
Surface speed:	50 m/sec.	50 m/sec.
Temperature:	to 220 °C	to 220 °C
Maximum pressure:	50 bar	10 bar

Standard Materials of Construction

Rotating face:	Silicon Carbide or Tungsten Carbide
Stationary face:	Silicon Carbide or Tungsten Carbide; Carbon
Gasketing:	Elastomers and PTFE
Springs:	316 TI Stainless steel or Alloy C (Special design)
Metal parts:	316 TI Stainless steel or Alloy C (Special design)

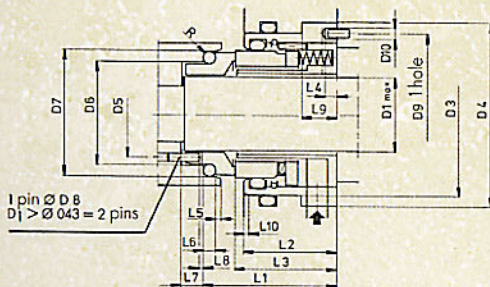
Dimensional Data

Allpac 480



Allpac 480													Dimensions for other sizes on request.						
D1	D3	D4	D5	D6	D7	D8	D9	D10	L1	L2	L3	L4	L5	L6	L7	L8	L9	L10	R
20	38.5	41	27	31	36.5	3	30	3.5	44	27.5	35.5	4	1.5	4	7	2	8	2	1.5
25	44.5	46	32	36	41.5	3	35	3.5	44	27.5	35.5	4	1.5	4	7	2	8	2	1.5
30	50	51	36	41	46.5	4	40	3.5	45	28.5	36.5	4	1.5	4	9	2.5	8	2	1.5
33	55	58	41	46	51.5	4	45	3.5	47.5	29	38	4	1.5	4	9	2.5	8	2	1.5
38	59	62	46	51	56.5	4	50	3.5	48.5	30	39	5	1.5	4	9	2.5	8	2	1.5
40	64	65	48	53.5	59	4	52	4.5	48.5	30	39	5	1.5	4	9	2.5	8	2	1.5
43	66	70	51	56	61.5	4	54	4.5	53.5	33	43	5	1.5	4	9.5	2.5	10	2	1.5
50	77	75	56	63.5	72	4	61	4.5	54.5	33	42.2	5	1.5	6	9.5	2.5	10	2	2
53	80	80	59	66.5	75	4	64	4.5	55	33.5	42.7	5	1.5	6	9.5	2.5	10	2	2
55	85	85	63	71.5	80	4	68	4.5	60	36.5	47.2	5	1.5	6	9.5	2.5	10	2.5	2
60	90	90	63	76.5	85	4	74	4.5	61.5	38	48.7	5	1.5	6	9.5	2.5	10	2.5	2
65	95	95	74	81.5	90	4	78	4.5	62	38	49.2	5	1.5	6	9.5	2.5	10	2.5	2
72	106	105	85	92	103.5	4	88	4.5	63.5	38	50	5	2	6	9.5	2.5	10	2.5	2
75	111	110	90	97	105.5	5	92	4.5	63.5	38	50	5	2	6	10.5	2.5	10	2.5	2
80	119	115	95	102	110.5	5	98	4.5	63.5	38	50	5	2	6	10.5	2.5	10	2.5	2
85	122	122	99	107	115.5	5	103	6	68.5	41	54	6	2	6	10.5	2.5	12	2.5	2
92	128	128	105	113.5	122	5	108	6	69	41	54	6	2	6	10.5	2.5	12	2.5	2.5
95	135	132	107	117	129	5	113	6	69	41	53	6	2	7	10.5	2.5	12	3	2.5
100	140	138	112	122	134	5	118	6	69	41	53	6	2	7	10.5	2.5	12	3	2.5
110	149	150	123	132	144	5	128	6	74.5	45.5	57.5	6	3	7	11.5	2.5	15	3	2.5
122	164	165	138	147	159	5	142	6	83.5	51.5	65.5	6	3	7	11	2.5	15	3	2.5
132	174	175	148	157	169	5	152	6	83.5	51.5	65.5	6	3	7	11	2.5	15	3	2.5
142	184	185	157	167	179	5	165	6	83.5	51.5	65.5	6	3	7	11	2.5	15	3	2.5
152	194	195	167	177	189	5	170	6	83.5	51.5	65.5	7	3	7	11	2.5	15	3	2.5
162	204	210	177	187	199	5	182	7	95.5	60.5	76.5	7	3	7	11.5	2.5	18	3	2.5
170	214	220	187	197	209	5	192	7	96.5	60.5	76.5	7	3	7	11.5	2.5	18	3	2.5
185	233	240	200	212	224	5	208	7	97.5	60.5	76.5	7	3	7	11.5	2.5	18	3	2.5
195	243	250	210	222	234	5	215	7	101	62	80	7	3	7	11.5	2.5	18	3	2.5
205	253	266	220	232	244	5	225	7	101	62	80	7	3	7	11.5	2.5	18	3	2.5
225	273	280	240	252	264	6	245	9	105	63	82	9	3	7	13	3	18	3	2.5
250	310	315	274	286	297.5	8	275	9	106	64.5	83	9	3	7	13	3	18	3	2.5
280	345	350	307	321	332.5	8	310	9	112.5	66.5	87.5	9	3	7	16	3.5	20	3	2.5
300	365	370	327	341	352.5	8	330	9	112.5	66.5	87.5	9	3	7	16	3.5	20	3	2.5

Allpac 487



Allpac 487													Dimensions for other sizes on request.						
D1	D3	D4	D5	D6	D7	D8	D9	D10	L1	L2	L3	L4	L5	L6	L7	L8	L9	L10	R
14	42	50	21.5	26.5	29.5	3	43	3.5	39.6	29	32	4	1.5	4	7	2	14	0.8	1
18	47	55	26.5	30.5	34.5	3	48	3.5	39.6	29	32	4	1.5	4	7	2	14	0.8	1
24	55	63	31.5	35.5	39.5	4	55.5	3.5	40.6	31	33	4	1.5	4	9	2	15	0.8	1
32	65	73	38.5	43.5	49	4	65.5	3.5	43.5	31	34	4	1.5	4	9	2.5	14	0.8	1
35	70	80	43.5	48.5	54	4	71.5	4.5	47.5	34	37	5	1.5	4	9.5	2.5	15	1	1
40	77	87	47.5	53.5	61	4	78.5	4.5	47.5	34	37	5	1.5	4	9.5	2.5	15	1	1
43	80	90	50.5	56.5	63.5	4	81.5	4.5	51.3	36	39	5	1.5	6	10.5	2.5	19	1	1
50	90	100	57.5	64.5	73.5	4	91.5	4.5	55.8	39	43	5	1.5	6	10.5	2.5	18	1	1.5
55	95	105	62.5	69.5	78.5	4	96.5	4.5	55.8	39	43	5	2	6	10.5	2.5	18	1	1.5
60	100	110	67.5	74.5	83.5	4	101.5	4.5	56.3	39	43	5	2	6	10.5	2.5	18	1	1.5
65	105	115	72.5	79.5	88.5	4	106.5	4.5	56.3	39	43	5	2	6	10.5	2.5	18	1	1.5
70	110	120	77.5	84.5	93.5	5	111.5	4.5	56.3	39	43	5	2	6	10.5	2.5	18	1	1.5
75	115	125	82.5	89.5	98.5	5	116.5	4.5	58.3	39	43	5	2	6	10.5	2.5	17	1	1.5
80	124	134	87.5	94.5	103.5	5	123.5	6	60.3	42	46	5	2	6	10.5	2.5	18	1.5	1.5
85	130	140	92.5	99.5	108.5	5	129	6	60.3	42	46	5	2	6	10.5	2.5	18	1.5	1.5
90	134	144	97.5	104.5	113.5	5	133.5	6	60.3	42	46	5	2	6	10.5	2.5	18	1.5	1.5
95	140	150	102.5	109.5	118.5	5	139	6	60.3	42	46	5	2	7	10.5	2.5	18	1.5	2
100	150	162	108.5	116.5	128.5	5	151	6	67.5	46.5	50.5	5	3	7	12.5	2.5	20	2	2
110	160	172	118.5	126.5	138.5	5	161	6	67.5	46.5	50.5	5	3	7	12.5	2.5	20	2	2
125	175	187	133.5	141.5	153.5	5	176	6	75.5	52.5	57.5	5	3	7	12.5	2.5	20	2	2
132	183	197	142.5	151.5	163.5	5	186	6	75.5	52.5	57.5	5	3	7	12.5	2.5	20	2	2
142	195	207	152.5	161.5	173.5	5	196	6	75.5	52.5	57.5	5	3	7	12.5	2.5	20	2	2
152	210	222	162.5	171.5	183.5	5	208.5	7	85.5	60.5	66.5	6	3	7	13	2.5	25	2.5	2
162	220	232	171.5	180.5	192.5	5	218.5	7	86.5	60.5	66.5	6	3	7	13	2.5	26	2.5	2
168	225	237	176.5	185.5	197.5	5	223.5	7	87.5	61.5	67.5	6	3	7	13	2.5	26	2.5	2
178	235	247	186.5	195.5	207.5	5	233.5	7	87.5	61.5	67.5	6	3	7	13	2.5	26	2.5	2
188	245	257	196.5	205.5	217.5	5	243.5	7	89	63	68	6	3	7	13	2.5	26.5	2.5	2
195	255	267	205.5	215.5	227.5	5	253.5	7	89	63	68	6	3	7	13	2.5	26.5	2.5	2
205	265	277	215.5	225.5	237.5	5	263.5	7	89	63	68	6	3	7	13	2.5	26.5	2.5	2
225	285	301	235.5	245.5	257.5	6	285.5	9	92	63	69	6	3	7	13	3	26	2.5	2
250	320	336	265.5	275.5	287.5	8	318	9	93	64	70	8	3	7	15	3	26	2.5	2
280	350	366	295.5	305.5	317.5	8	348	9	97.5	66.5	72.5	8	3	7	16	3.5	26	2.5	2
292	350	366	310.5	320.5	332.5	8	370.5	9	97.5	66.5	72.5	8	3	7	16	3.5	26	2.5	2

The information and specifications presented in this product brochure are believed to be accurate, but are supplied for information purposes only and should not be considered certified or as a guarantee of satisfactory results by reliance thereon. Nothing contained herein is to be construed as a warranty or guarantee, express or implied, with respect to the product. Although Flowserve Corporation can provide general application guidelines, it cannot provide specific information for all possible applications. The purchaser/user must therefore assume the ultimate responsibility for the proper selection, installation, operation and maintenance of Flowserve products. Because Flowserve Corporation is continually improving and upgrading its product design, the specifications, dimensions and information contained herein are subject to change without notice.

Primary Worldwide Flow Solutions Division Locations

Licenseses, authorized agents, and affiliated companies located worldwide.

United States
 Kalamazoo, MI Phone 616-381-2650 Fax 616-381-8368
 Temecula, CA Phone 909-676-5662 Fax 909-308-4495

Canada
 Edmonton, Alberta Phone 403-463-7958 Fax 403-450-1241

Netherlands
 Roosendaal Phone 31-165-581-400 Fax 31-165-552-622

Argentina
 Mendoza Phone 54-261-272300 Fax 54-261-272524

Singapore
 Phone 65-746-4318 Fax 65-747-1963

Mexico</