

INCH-POUND

MS28774M
23 APRIL 2009
SUPERSEDING
MS28774L
19 NOVEMBER 1990

DETAIL SPECIFICATION SHEET

RETAINER, PACKING BACKUP, SINGLE TURN, POLYTETRAFLUOROETHYLENE

Inactive for new design after 25 MARCH 1989.

This specification sheet is approved for use by all Departments and Agencies of the Department of Defense.

The requirements for acquiring the product described herein shall consist of this specification sheet and procurement specification SAE AS8791.

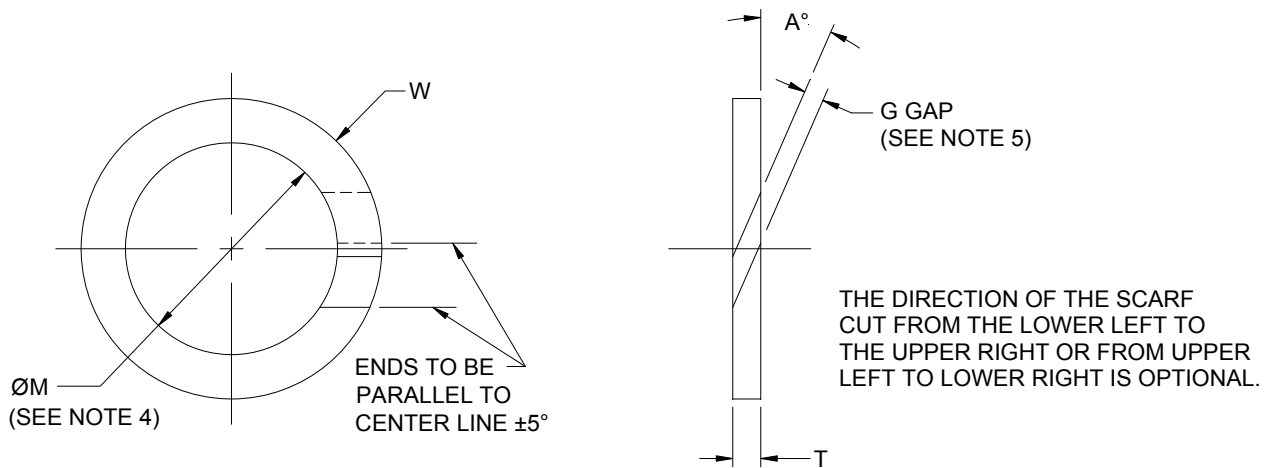


FIGURE I. Retainer.

MS28774M

TABLE I. Part Numbers and Dimensions.

PART NUMBER	ØM ±.001	T	W	G	A°
MS28774-004	.109	.052	.054	.005	39 +0 -4
MS28774-005	.124	.045	.052	.000	33 +0 -3
MS28774-006	.140	↓	↓	↓	30 +0 -3
MS28774-007	.171				26 +0 -3
MS28774-008	.202				22 +0 -3
MS28774-009	.234				
MS28774-010	.265				
MS28774-011	.327				
MS28774-012	.390				
MS28774-013	.455				
MS28774-014	.518				
MS28774-015	.580				
MS28774-016	.643				
MS28774-017	.705				
MS28774-018	.768				
MS28774-019	.830				
MS28774-020	.898				
MS28774-021	.960				
MS28774-022	1.023				
MS28774-023	1.085				
MS28774-024	1.148				
MS28774-025	1.210				
MS28774-026	1.273				
MS28774-027	1.335				
MS28774-028	1.398				
MS28774-110	.390		.087	.006	
MS28774-111	.452		.085	.000	
MS28774-112	.515		↓	↓	
MS28774-113	.577				
MS28774-114	.640				
MS28774-115	.702				
MS28774-116	.765				
MS28774-117	.832				
MS28774-118	.895				
MS28774-119	.957				
MS28774-120	1.020				
MS28774-121	1.082				
MS28774-122	1.145				
MS28774-123	1.207				
MS28774-124	1.270				
MS28774-125	1.332				
MS28774-126	1.397	↓	↓	↓	↓

MS28774M

TABLE I. Part Numbers and Dimensions. - continued

PART NUMBER	ØM ±.001	T	W	G	A°
MS28774-127	1.459	.052	.087	.006	22 +0 -3
MS28774-128	1.522	.045	.085	.000	
MS28774-129	1.584				
MS28774-130	1.647				
MS28774-131	1.709				
MS28774-132	1.772				
MS28774-133	1.834				
MS28774-134	1.897				
MS28774-135	1.959				
MS28774-136	2.022				
MS28774-137	2.084				
MS28774-138	2.147				
MS28774-139	2.209				
MS28774-140	2.258				
MS28774-141	2.320				
MS28774-142	2.383				
MS28774-143	2.445				
MS28774-144	2.508				
MS28774-145	2.570				
MS28774-146	2.633				
MS28774-147	2.695				
MS28774-148	2.758				
MS28774-149	2.820				
MS28774-210	.766		.120		
MS28774-211	.828		.118		
MS28774-212	.891				
MS28774-213	.953				
MS28774-214	1.016				
MS28774-215	1.078				
MS28774-216	1.141				
MS28774-217	1.203				
MS28774-218	1.266				
MS28774-219	1.334				
MS28774-220	1.397				
MS28774-221	1.459				
MS28774-222	1.522				
MS28774-223	1.647			.007	
MS28774-224	1.772			.000	
MS28774-225	1.897				
MS28774-226	2.022				
MS28774-227	2.147				
MS28774-228	2.272				
MS28774-229	2.397				
MS28774-230	2.522				

MS28774M

TABLE I. Part Numbers and Dimensions. - continued

PART NUMBER	ØM ±.001	T	W	G	A°
MS28774-231	2.631	.052	.120	.007	22 +0 -3
MS28774-232	2.756	.045	.118	.000	
MS28774-233	2.881	↓	↓	↓	↓
MS28774-234	3.006				
MS28774-235	3.131				
MS28774-236	3.256				
MS28774-237	3.381				
MS28774-238	3.506				
MS28774-239	3.631				
MS28774-240	3.756				
MS28774-241	3.881				
MS28774-242	4.006				
MS28774-243	4.131				
MS28774-244	4.256				
MS28774-245	4.381				
MS28774-246	4.506				
MS28774-247	4.631				
		↓	↓		
MS28774-325	1.513	.075	.184		
MS28774-326	1.638	.065	.182		
MS28774-327	1.763	↓	↓		
MS28774-328	1.888				
MS28774-329	2.013				
MS28774-330	2.138				
MS28774-331	2.268				
MS28774-332	2.393				
MS28774-333	2.518				
MS28774-334	2.643				
MS28774-335	2.768				
MS28774-336	2.893				
MS28774-337	3.018				
MS28774-338	3.143				
MS28774-339	3.273				
MS28774-340	3.398				
MS28774-341	3.523				
MS28774-342	3.648				
MS28774-343	3.773				
MS28774-344	3.898				
MS28774-345	4.028				
MS28774-346	4.153				
MS28774-347	4.278				
MS28774-348	4.403				
MS28774-349	4.528	↓	↓	↓	↓

MS28774M

TABLE I. Part Numbers and Dimensions. - continued

PART NUMBER	ØM ±.001	T	W	G	A°
MS28774-425	4.551	.110	.237	.008	22 +0 -3
MS28774-426	4.676	.100	.235	.000	
MS28774-427	4.801				
MS28774-428	4.926				
MS28774-429	5.051				
MS28774-430	5.176				
MS28774-431	5.301				
MS28774-432	5.426				
MS28774-433	5.551				
MS28774-434	5.676				
MS28774-435	5.801				
MS28774-436	5.926				
MS28774-437	6.051				
MS28774-438	6.274				
MS28774-439	6.524				
MS28774-440	6.774				
MS28774-441	7.024				
MS28774-442	7.274				
MS28774-443	7.524				
MS28774-444	7.774				
MS28774-445	8.024				
MS28774-446	8.524				
MS28774-447	9.024				
MS28774-448	9.524				
MS28774-449	10.024				
MS28774-450	10.524			.010	
MS28774-451	11.024			.000	
MS28774-452	11.524				
MS28774-453	12.024				
MS28774-454	12.524				
MS28774-455	13.024				
MS28774-456	13.524				
MS28774-457	14.024				
MS28774-458	14.524				
MS28774-459	15.024				
MS28774-460	15.524				

Notes:

1. Material shall be in accordance with procurement specification: SAE AS8791.
2. Surfaces must be smooth and free from irregularities. Edges must be clean and sharp.
3. Dimension "A" in degrees, all other in inches.
4. For use in packing grooves conforming to MIL-G-5514.
5. In measuring dimensions ØM over a mandrel, the scarf cut shall not exceed dimension "G" and no overlap permitted beyond the full scarf.

6. For parts 140-149, 231-247, 438-460, it is recommended that the respective dash sizes under MS27595 (not cut) be used when possible.
7. For design purposes, this standard takes precedence over procurement specification referenced here-in.
8. Changes from previous issue. Marginal notations are not used in this revision to identify changes with respect to the previous issue due to the extent of the changes.

Custodians:
Army - MR
Navy - AS
Air Force – 99

Preparing Activity:
DLA -IS

(Project 5330-2009-009)

NOTE: The activities listed above were interested in this document as of the date of this document. Since organizations and responsibilities can change, you should verify the currency of the information above using the ASSIST Online database at <http://assist.daps.dla.mil>.